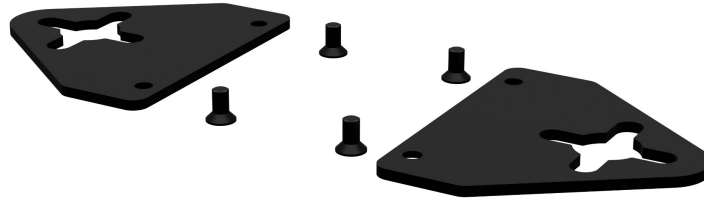




WMK KPS

KPS SERIES WALL MOUNT KIT



Description

WMK KPS allows to install KPS amplifiers with 1/2 rack unit size on a wall, a ceiling or under a desk. It is particularly useful for distributed installation in complex environments.

Standard compliance

Safety agency

CE compliant

Size / Weight

Weight

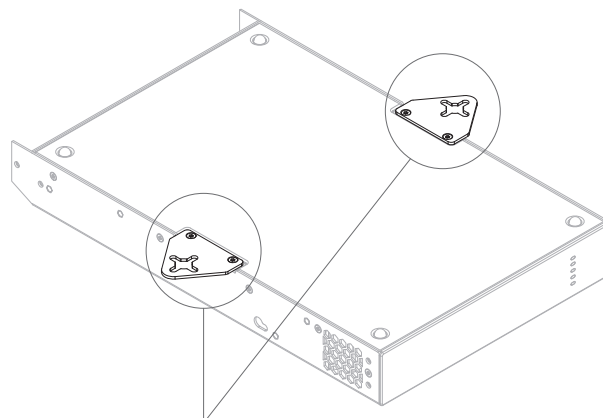
0.05 kg / 0.11 lbs

Physical specifications

Color

Black - RAL 9005

Line Art 2D



2 x Mounting plates
4 x M3x6 countersunk

Part Number

13360744 WMK KPS

Black - RAL 9005 EAN 8024530023935

Technical Specifications

Products are continually improved. All specifications are therefore subject to change without notice.