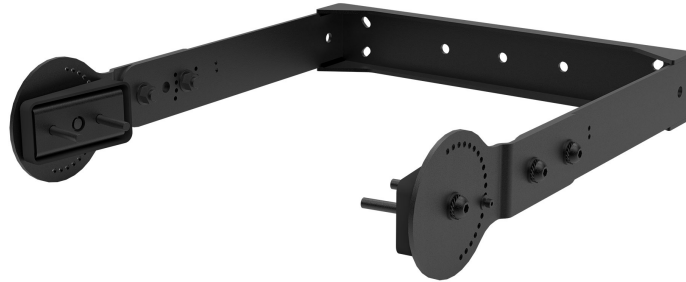




V-BR 001

PAIR OF VERTICAL BRACKETS



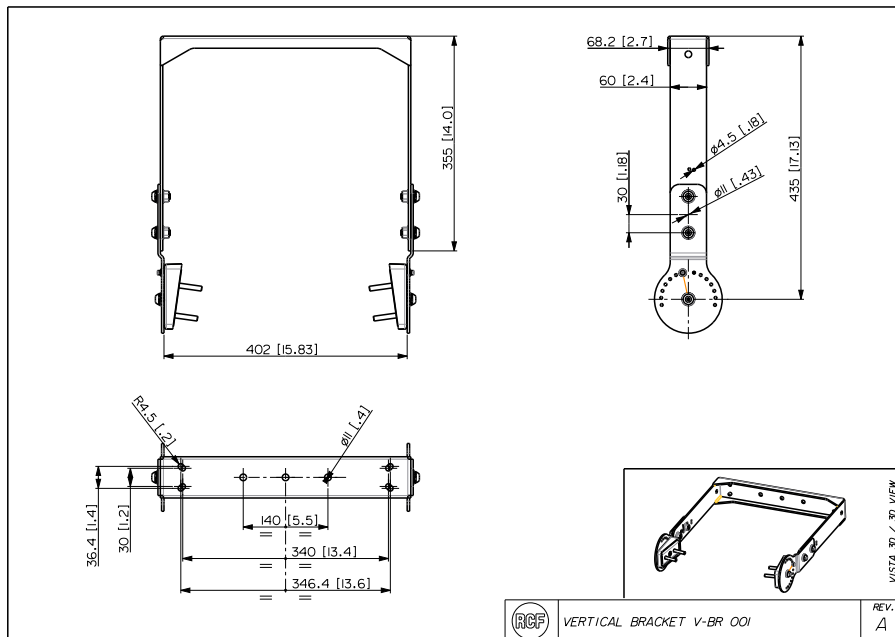
Description Pair of brackets for 15" cabinets vertical wall mounting.

Standard compliance Safety agency CE compliant

Size / Weight Weight 3.4 kg / 7.5 lbs

Physical specifications Color Black - RAL 9005

Line Art 2D



Part Number 13360541 V-BR 001

Black - RAL 9005 EAN 8024530020750

Technical Specifications

Products are continually improved. All specifications are therefore subject to change without notice.