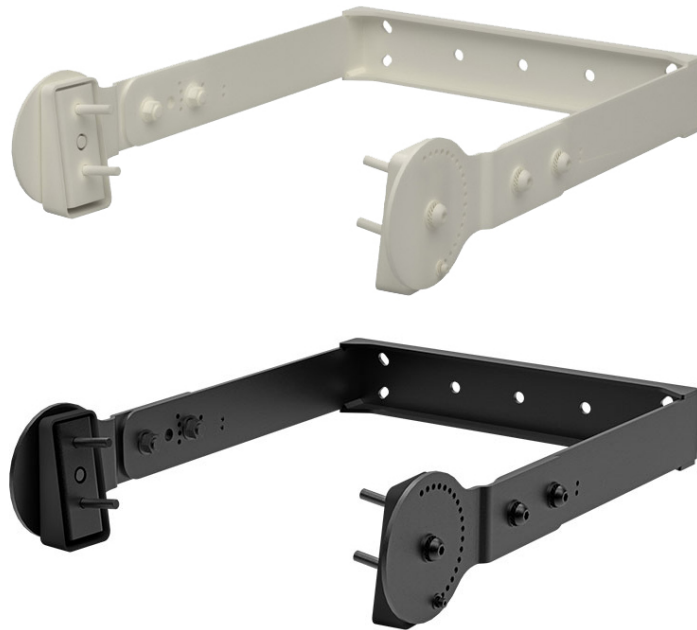




# V-BR 002

PAIR OF VERTICAL BRACKETS



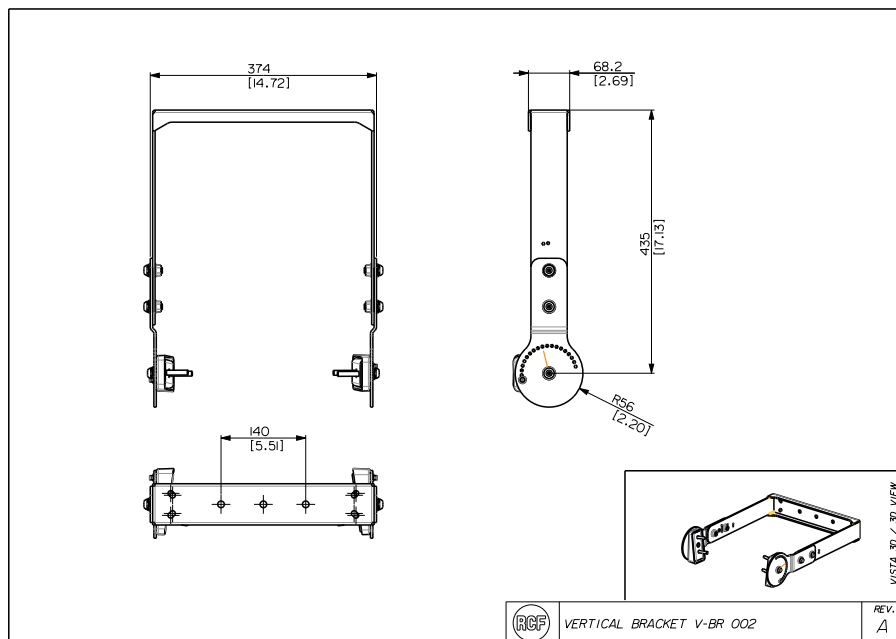
**Description** Pair of brackets for 12" cabinets vertical wall mounting.

**Standard compliance** Safety agency CE compliant

**Size / Weight** Weight 3.3 kg / 7.28 lbs

**Physical specifications** Color Black - RAL 9005, White - RAL 9003

Line Art 2D



<b>Part Number</b>	13360533 V-BR 002	Black - RAL 9005 EAN 8024530021320
	13360607 V-BR 002 W	White - RAL 9003 EAN 8024530021696

## Technical Specifications

Products are continually improved. All specifications are therefore subject to change without notice.