



X 08

TWO-WAY PROFESSIONAL SPEAKER

ENGLISH

1	SAFETY PRECAUTIONS AND GENERAL INFORMATION	4
2	DESCRIPTION	6
3	REAR PANEL FEATURES AND CONTROLS	7
4	MOUNTING THE HORIZONTAL BRACKET (INCLUDED).....	8
5	MOUNTING THE VERTICAL BRACKET (INCLUDED).....	9

ITALIANO






1	AVVERTENZE PER LA SICUREZZA E INFORMAZIONI GENERALI.....	12
2	DESCRIZIONE	14
3	PANNELLO POSTERIORE - FUNZIONI E CONTROLLI	15
4	MONTAGGIO DELLA STAFFA ORIZZONTALE (INCLUSA)	16
5	MONTAGGIO DELLA STAFFA VERTICALE (NON INCLUSA)	17

DIMENSIONS.....	20
-----------------	----

SPECIFICATIONS.....	21
---------------------	----

1. SAFETY PRECAUTIONS AND GENERAL INFORMATION

The symbols used in this document give notice of important operating instructions and warnings which must be strictly followed.

	CAUTION	Important operating instructions: explains hazards that could damage a product, including data loss
	WARNING	Important advice concerning the use of dangerous voltages and the potential risk of electric shock, personal injury or death.
	IMPORTANT NOTES	Helpful and relevant information about the topic
	SUPPORTS, TROLLEYS AND CARTS	Information about the use of supports, trolleys and carts. Reminds to move with extreme caution and never tilt.
	WASTE DISPOSAL	This symbol indicates that this product should not be disposed with your household waste, according to the WEEE directive (2012/19/EU) and your national law.

IMPORTANT


This manual contains important information about the correct and safe use of the device. Before connecting and using this product, please **read this instruction manual carefully** and **keep it on hand for future reference**. The manual is to be considered an integral part of this product and must accompany it when it changes ownership as a reference for correct installation and use as well as for the safety precautions. The company will not assume any responsibility for the incorrect installation and / or use of this product.

All the precautions, in particular the safety ones, must be read with special attention, as they provide important information.

SAFETY PRECAUTIONS

GENERAL SAFETY PRECAUTIONS

- Protect loudspeaker AC and signal lines from damage. Make sure they are positioned in a way that they cannot be stepped on or crushed by objects.
- To prevent the risk of electric shock, never open this product: there are no parts inside that the user needs to access. Never attempt to carry out any operations, modifications or repairs that are not expressly described in this manual.
- If this product begins emitting any strange odours or smoke, in case of an active speaker immediately switch it off and disconnect the power cable; in case of a passive speaker switch the amplifier off and remove it from the line.
- Contact your authorized service centre or qualified personnel if any of the following occur:
 - The device does not function (or works in an anomalous way).
 - The cable has been damaged.
 - Objects or liquids are inside the loudspeaker.
 - The loudspeaker has been damaged due to heavy impacts or fire.
- Make sure that no objects or liquids can get into this product, as this may cause a short circuit. This apparatus shall not be exposed to dripping or splashing. No objects filled with liquid, such as vases, shall be placed on this apparatus. No naked sources (such as lighted candles) should be placed on this apparatus.
- Do not connect this product to any equipment or accessories not foreseen. For suspended installation, only use the dedicated anchoring points and do not try to hang this product by using elements that are unsuitable or not specific for this purpose. Also check the suitability of the support surface to which the product is anchored (wall, ceiling, structure, etc.), and the components used for attachment (screw anchors, screws, brackets not supplied by RCF etc.), which must guarantee the security of the system / installation over time, also considering, for example, the mechanical vibrations normally generated by transducers. To prevent the risk of falling equipment, do not stack multiple units of this product unless this possibility is specified in the user manual.
- The company strongly recommends to install this product only by professional qualified installers (or specialised firms) who can ensure correct installation and certify it according to the regulations in force. The entire audio system must comply with the current standards and regulations regarding electrical systems.

- 
Supports, trolleys and carts: The equipment should be only used on supports, trolleys and carts, where necessary, that are recommended by the manufacturer. The equipment / support / trolley / cart assembly must be moved with extreme caution. Sudden stops, excessive pushing force and uneven floors may cause the assembly to overturn. Never tilt the assembly.
- Hearing loss:** Exposure to high sound levels can cause permanent hearing loss. The acoustic pressure level that leads to hearing loss is different from person to person and depends on the duration of exposure. To prevent potentially dangerous exposure to high levels of acoustic pressure, anyone who is exposed to these levels should use adequate protection devices. When a transducer capable of producing high sound levels is being used, it is necessary to wear ear plugs or protective earphones. See the technical specifications in the instruction manual for the maximum sound pressure the loudspeaker can produce.

ACTIVE DEVICES: ACTIVE SPEAKERS and AMPLIFIERS

- The mains voltage is sufficiently high to involve a risk of electrocution; install and connect this product before plugging it in.
- Before powering up, make sure that all the connections have been made correctly and the voltage of your mains corresponds to the voltage shown on the rating plate on the unit, if not, please contact your dealer.
- The metallic parts of the unit are earthed through the power cable. An apparatus with CLASS I construction shall be connected to a mains socket outlet with a protective earthing connection by a 3-pole power cord.
- Protect the power cable from damage; make sure it is positioned in a way that it cannot be stepped on or crushed by objects.
- If the product is not used for a long period, disconnect the power cable.
- Ensure that no children have access to the installation materials and components.
- Before powering up, make sure that all the connections have been made correctly and the voltage of your mains corresponds to the voltage shown on the rating plate on the unit. If not, please contact your dealer.
- Always make sure the power cord and all plug assemblies are certified and suitable for the use in the particular countries where the product shall be installed.
- Use the mains plug to disconnect the apparatus from the mains.
- If the device is provided with internal fuse or if it requires operations, contact your authorized service centre or qualified personnel as defined in the IEC 62368-1 3rd Ed. Interfaces at ES3 level present.
- If the device is provided with power socket with accessible fuse holder, or accessible independent fuse holder, disconnect mains cable device before fuse replacement. The fuse on the AC mains input may be on the neutral, the AC mains shall be disconnected to de-energize the phase.

PASSIVE DEVICES and ACCESSORIES

- Loudspeaker lines (amplifier outputs) can have a sufficiently high voltage to involve a risk of electrocution: never install or connect this loudspeaker when amplifiers are switched on.
- Make sure all connections have been made correctly and the loudspeaker input impedance is suitable for the amplifier output.
- To ensure a correct sound reproduction, loudspeaker phase is to be respected (loudspeakers are connected respecting the amplifier polarity). This is important when loudspeakers are installed adjacent one another, for instance, in the same room.
- To prevent inductive effects from causing hum, noise and a bad system working, loudspeaker lines should not be laid together with other electric cables (mains), microphone or line level signal cables connected to amplifier inputs.
- The loudspeaker cable shall have wires (twisted, if possible, to reduce inductive effects due to surrounding electro-magnetic fields) with a suitable section and a sufficient electrical insulation. Refer to local regulations since there may be additional requirements about cable characteristics.
- Do NOT connect loudspeaker low impedance (8 - 4 Ω) inputs to 100 / 70 V constant voltage lines.

SUSPENDED DEVICES

1. Suspending any object is a potentially dangerous operation and should only be attempted by individuals who have a thorough knowledge of the techniques and regulations of rigging objects overhead.
2. The company strongly recommends that all devices should be suspended taking into account all current national, federal, state and local regulations. It is the responsibility of the installer to ensure that all devices are safely installed in accordance with all such regulations.
3. The company strongly recommends to inspect the system at least once a year. If any sign of weakness or damage is detected remedial actions should be taken immediately.
4. The user is responsible for making sure that the supporting surfaces and any additional hardware used is capable of supporting the system. Any hardware used to suspend a loudspeaker array that is not provided by or associated with the company is not recommended and is under the responsibility of others.


OPERATING PRECAUTIONS


- Install the product in accordance with manufacturer's instructions.
- Mechanical and electrical factors need to be considered when installing a professional audio system (in addition to those which are strictly acoustic, such as sound pressure, angles of coverage, frequency response, etc.).
- If the product needs to be used in a cold environment, slowly warm up the voice coils by sending a low-level signal for about 15 minutes before sending high-power signals.
- Place this product far from any heat sources and always ensure an adequate air circulation around it.
- Do not overload this product with too much power or for a long time.
- Never force the control elements (keys, knobs, etc.).


IMPORTANT

To prevent the occurrence of noise on line signal cables, use screened cables only and avoid putting them close to:


- Equipment that produces high-intensity electromagnetic fields
- Power cables
- Loudspeaker lines

 **WARNING! CAUTION!** To prevent the risk of fire or electric shock, never expose this product to rain or humidity.

 **WARNING!** To avoid the risk of electric shock, do not connect to the mains supply if the device is open or, in the case of speakers, while the grille is removed.

 **WARNING!** To reduce the risk of electric shock, do not disassemble this product unless you are qualified. Refer servicing to qualified service personnel.

CORRECT DISPOSAL OF THIS PRODUCT

 This product should be handed over to an authorized collection site for recycling waste electrical and electronic equipment (EEE). Improper handling of this type of waste could have a possible negative impact on the environment and human health due to potentially hazardous substances that are generally associated with EEE. At the same time, your cooperation in the correct disposal of this product will contribute to the effective usage of natural resources. For more information about where you can drop off your waste equipment for recycling, please contact your local city office, waste authority or your household waste disposal service.

CARE AND MAINTENANCE

To ensure a long-life service, this product should be used following these advices:

- If the product is intended to be set up outdoors, be sure it is under cover and protected to rain and moisture.
- In the case of fixed installations, it is recommended to schedule periodic checks of the entire system and all its parts for the entire duration of the installation.
- All personnel involved in the installation must be adequately trained and educated on safety procedures and equipped with appropriate personal protective equipment (PPE).
- If it is necessary to replace a part, always contact authorized centers only or use only parts supplied by RCF.
- RCF is not responsible for problems or malfunctions encountered in the case of replacements of parts or modifications to the system initiated by the user.
- Do not use abrasives, cleaning solvents, alcohol, benzene or other volatile substances for cleaning the external parts of this product. Always use a dry cloth to clean the exterior surfaces of the speaker and always do it when the power is turned off.

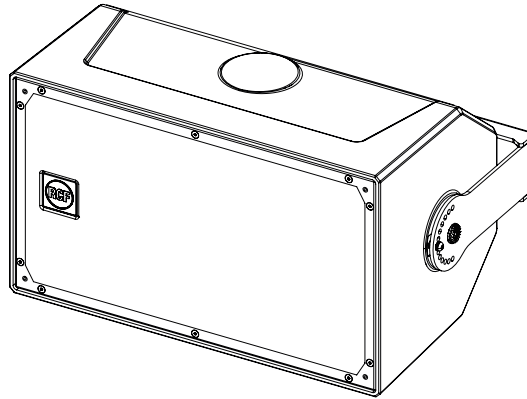
 **WARNING! CAUTION!** For powered devices, clean only when the power is turned off.

RCF S.p.A. reserves the right to make changes without prior notice to rectify any errors and / or omissions.

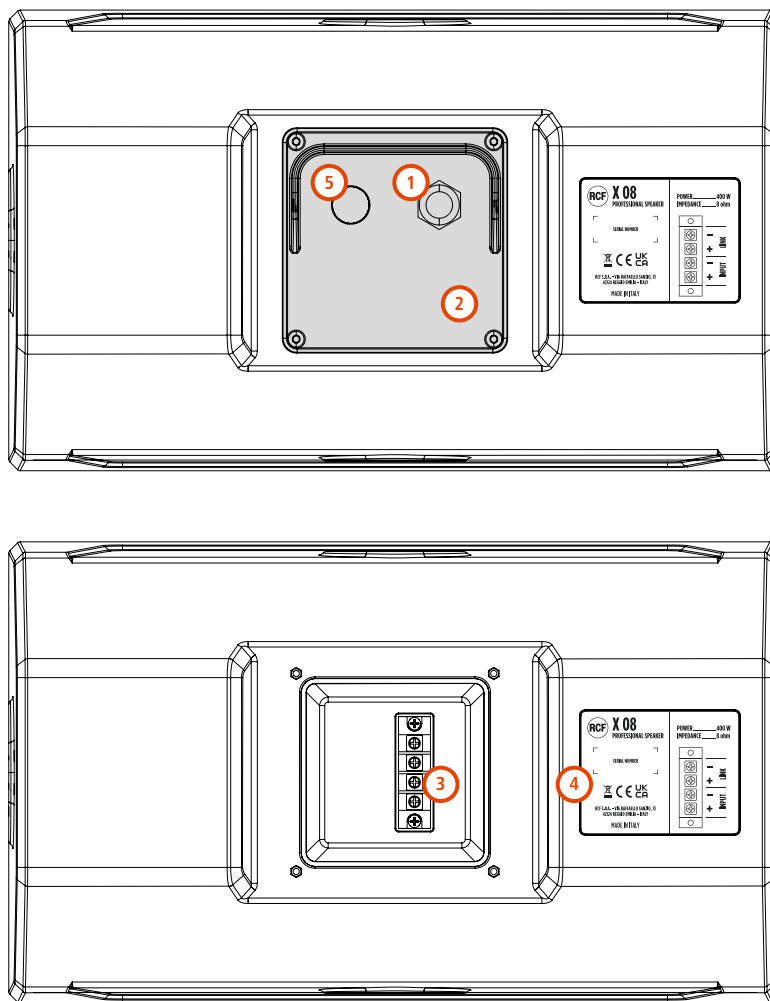
Always refer to the latest version of the manual on www.rcf.it.

X 08 - TWO-WAY PROFESSIONAL SPEAKER

X 08 is a two-way professional speaker designed for a wide range of fixed indoor and outdoor installations requiring high audio quality and extreme durability. Thanks to the 8" woofer and the 1.75" voice coil compression driver it offers a balanced and clear sound, distributed with constant 100° x 100° directivity. The cabinet is made of high-density polyurethane, while the aluminum grille guarantees protection from dust and rain, thanks to a waterproof fabric layer. A bracket for horizontal installation is included, while for vertical installation a dedicated accessory is available.

**X 08**

8" Woofer
1.75 neo Compression Driver
128 dB Max SPL
Directivity H 100° x V 100°

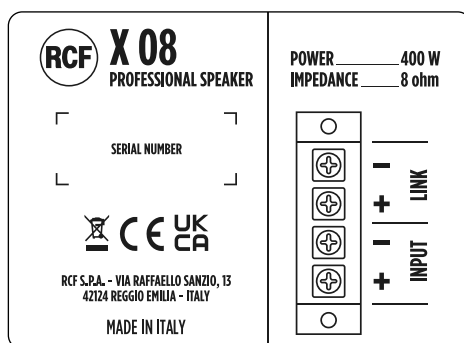



THE REAR PANEL

The rear side displays a cable gland (1) mounted on a panel (2).

Remove the panel to show the contact holder (3). The connections are shown on the model label (4) on the side.

The panel has a knockout hole (5) which can be opened to mount an additional cable gland (6) (included).



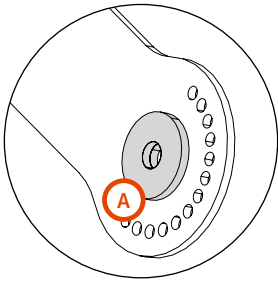
 **WARNING! CAUTION!** Loudspeaker connections should be only made by qualified and experienced personnel having the technical know-how or enough specific instructions (to ensure that connections are made correctly) in order to prevent any electrical danger.

To prevent any risk of electric shock, do not connect loudspeakers when the amplifier is switched on.

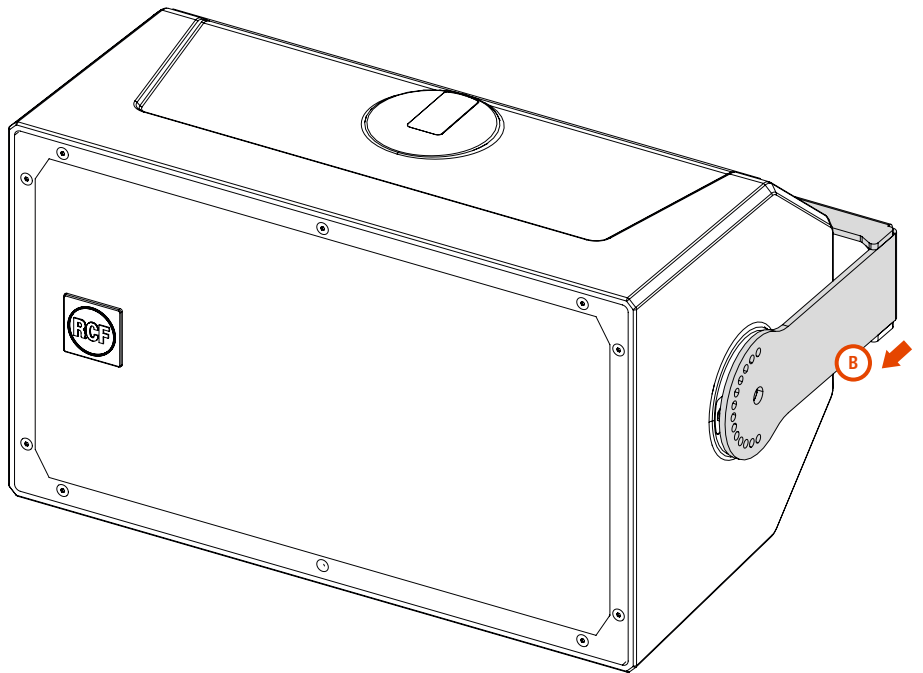
Before turning the system on, check all connections and make sure there are no accidental short circuits.

The entire sound system shall be designed and installed in compliance with the current local laws and regulations regarding electrical systems.

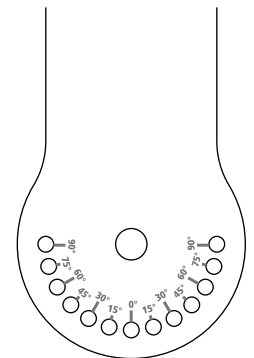
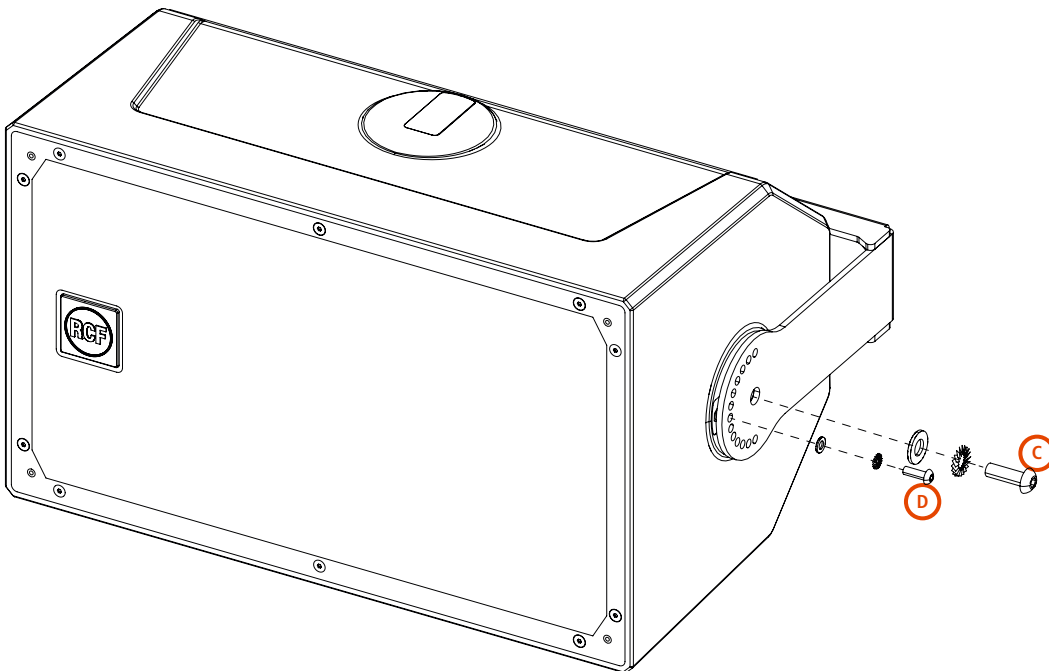
4. MOUNTING THE HORIZONTAL BRACKET (INCLUDED)



Place the adhesive rubber spacer **A** over the center holes on both inner sides of the bracket.



Place the provided horizontal bracket **B** on the speaker.



The holes on the bracket allow the speaker to be tilted up to 90° on both sides.

Screw the central M10 screw **C** (with its washers) and screw the M5 screw **D** (with its washers) to choose the right angle.



WARNING! CAUTION! Loudspeaker connections should be only made by qualified and experienced personnel having the technical know-how or enough specific instructions (to ensure that connections are made correctly) in order to prevent any electrical danger.

To prevent any risk of electric shock, do not connect loudspeakers when the amplifier is switched on.

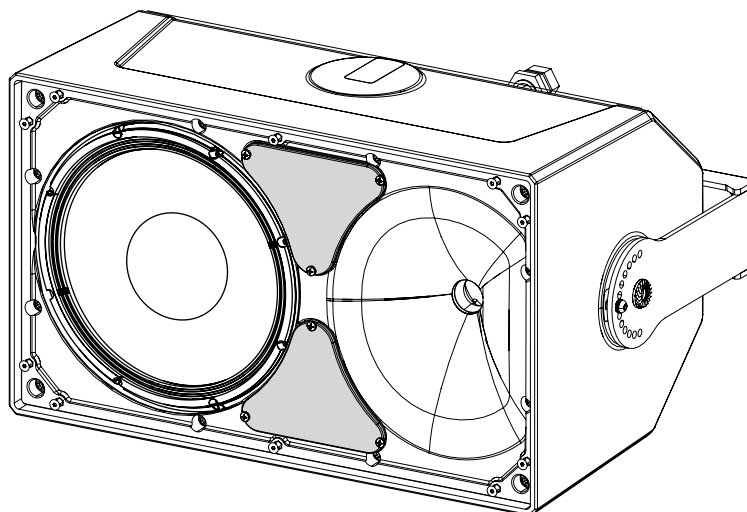
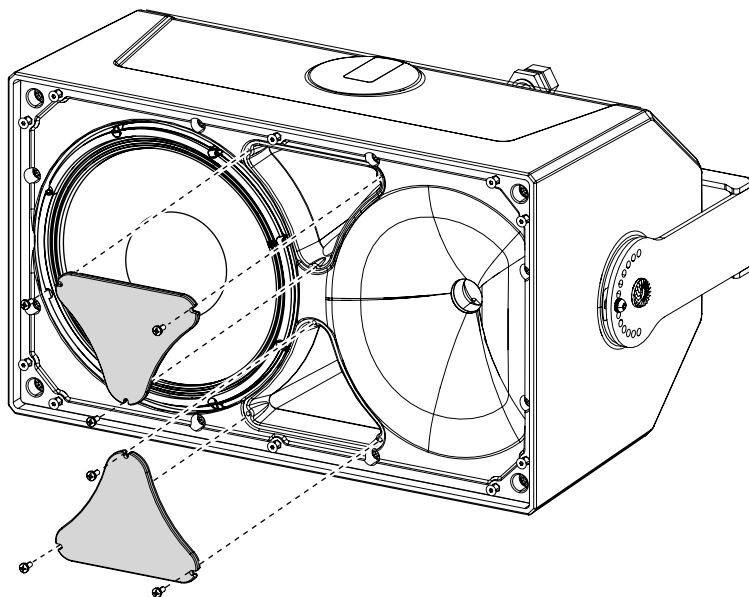
Before turning the system on, check all connections and make sure there are no accidental short circuits.

The entire sound system shall be designed and installed in compliance with the current local laws and regulations regarding electrical systems.

5. IP 55 PROTECTION

IP55 protection is achieved by screwing the provided reflex caps on their position.






1. Remove the front grille and screw the reflex caps.



2. Once the reflex caps have been screwed on their position and the grille has been reassembled, the speaker can be used under IP55 conditions.

1. AVVERTENZE PER LA SICUREZZA E INFORMAZIONI GENERALI

I simboli utilizzati in questo documento notificano importanti istruzioni operative e avvertimenti che devono essere seguiti attentamente.

	CAUTELA	Importante istruzione operativa: notifica un pericolo che potrebbe danneggiare il prodotto, compresa la perdita di dati
	ATTENZIONE	Avvertimento importante riguardante l'uso di voltaggi pericolosi e il potenziale rischio di shock elettrico, lesioni personali o morte.
	NOTE IMPORTANTI	Informazioni utili e rilevanti sull'argomento
	SUPPORTI, TROLLEY E CARRRELLI	Informazioni riguardanti l'utilizzo di supporti, trolley e carrelli. Suggerisce di muovere con estrema cautela e di non inclinare il carico.
	SMALTIMENTO	Questo simbolo indica che il prodotto non deve essere smaltito con i rifiuti ordinari, così come indicato nella direttiva WEEE (2012/19/EU) e nelle normative nazionali in vigore.

NOTE IMPORTANTI

Questo manuale contiene informazioni importanti sull'uso corretto e sicuro del dispositivo. Prima di collegare e utilizzare questo prodotto, **leggere attentamente questo manuale** di istruzioni e **tenerlo a portata di mano** per riferimenti futuri. Il manuale deve essere considerato parte integrante di questo prodotto e deve accompagnarlo in caso di cambio proprietà come riferimento per la corretta installazione e utilizzo nonché per le precauzioni di sicurezza. L'azienda non si assume alcuna responsabilità per l'installazione e / o l'uso errati di questo prodotto.


Tutte le precauzioni, in particolare quelle di sicurezza, devono essere lette con particolare attenzione poiché forniscono informazioni importanti.

PRECAUZIONI DI SICUREZZA

PRECAUZIONI GENERALI DI SICUREZZA

1. Proteggere i cavi di alimentazione e di segnale da eventuali danni. Assicurarsi che siano posizionati in modo che non possano essere calpestati o schiacciati.
2. Per prevenire il rischio di scosse elettriche, non aprire mai questo prodotto: all'interno non ci sono parti a cui l'utente debba accedere. Non tentare mai di effettuare operazioni, modifiche o riparazioni non espressamente descritte in questo manuale.
3. Se questo prodotto inizia ad emettere strani odori o fumo, in caso di dispositivo attivo spegnerlo immediatamente e scollegare il cavo di alimentazione; in caso di dispositivo passivo spegnere l'amplificatore e rimuoverlo dalla linea.
4. Rivolgersi al centro di assistenza autorizzato o al personale qualificato se si verifica una delle seguenti condizioni:
 - Il dispositivo non funziona (o funziona in modo anomalo).
 - Il cavo è stato danneggiato.
 - All'interno del dispositivo sono presenti oggetti o liquidi.
 - Il dispositivo è stato danneggiato a causa di forti urti o di un incendio.
5. Assicurarsi che nessun oggetto o liquido possa penetrare nel prodotto, poiché ciò potrebbe causare un cortocircuito. Questo apparecchio non deve essere esposto a gocciolamenti o spruzzi. Nessun oggetto pieno di liquidi, come vasi, deve essere posizionato su questo apparecchio. Su questo apparecchio non devono essere posizionate fiamme libere (come candele accese).
6. Non collegare questo prodotto ad apparecchiature o accessori non previsti. In caso di installazioni sospese utilizzare solo gli appositi punti di ancoraggio e non tentare di appendere questo prodotto utilizzando elementi non idonei o non specifici allo scopo. Verificare inoltre l'idoneità della superficie di supporto a cui viene ancorato il prodotto (parete, soffitto, struttura, ecc.), e dei componenti utilizzati per il fissaggio (tasselli, viti, staffe non fornite da RCF, ecc.), che devono garantire la sicurezza del sistema/installazione nel tempo, considerando anche, ad esempio, le vibrazioni meccaniche normalmente generate dai diffusori. Per evitare il rischio di caduta dell'apparecchiatura, non impilare più unità di

questo prodotto a meno che questa possibilità non sia specificata nel manuale dell'utente.

7. L'azienda consiglia vivamente di far installare questo prodotto solo da installatori professionisti qualificati (o ditte specializzate) che possano garantire la corretta installazione e certificarla secondo le normative vigenti. L'intero impianto audio deve essere conforme alle norme e normative vigenti in materia di impianti elettrici.
8.  L'apparecchiatura deve essere utilizzata, ove necessario, solo su supporti, trolley e carrelli consigliati dal produttore. L'apparecchiatura / supporto / carrello deve essere spostata con estrema cautela. Arresti improvvisi, eccessiva spinta e pavimenti irregolari possono causarne il ribaltamento. Non inclinare mai.
9. Perdita dell'udito: l'esposizione a livelli sonori elevati può causare la perdita permanente dell'udito. Il livello di pressione acustica che porta alla perdita dell'udito è diverso da persona a persona e dipende dalla durata dell'esposizione. Per prevenire un'esposizione potenzialmente pericolosa ad elevati livelli di pressione acustica, chiunque sia esposto a tali livelli dovrebbe utilizzare adeguati dispositivi di protezione. Quando si utilizza un diffusore in grado di produrre livelli sonori elevati è necessario indossare tappi per le orecchie o auricolari protettivi. Consultare le specifiche tecniche nel manuale di istruzioni per la massima pressione sonora che l'altoparlante può produrre.

DISPOSITIVI ATTIVI: DIFFUSORI ATTIVI e AMPLIFICATORI

1. La tensione di rete è sufficientemente elevata da comportare un rischio di folgorazione; installare ed effettuare tutti i collegamenti prima di fornire corrente elettrica al dispositivo.
2. Prima di accendere, assicurarsi che tutti i collegamenti siano stati effettuati correttamente e che la tensione di rete corrisponda a quella indicata sulla targhetta identificativa dell'unità; in caso contrario contattare il proprio rivenditore.
3. Le parti metalliche dell'unità sono collegate a terra tramite il cavo di alimentazione. Un apparecchio con costruzione di CLASSE I deve essere collegato a una presa di rete con un collegamento di terra protettivo tramite un cavo di alimentazione a 3 poli.
4. Proteggere il cavo di alimentazione da eventuali danni; assicurarsi che sia posizionato in modo che non possa essere calpestato o schiacciato da oggetti.
5. Se il prodotto non viene utilizzato per un lungo periodo, scollegare il cavo di alimentazione.
6. Assicurarsi che nessun bambino abbia accesso ai materiali e ai componenti dell'installazione.
7. Prima di accendere l'unità, assicuratevi che tutti i collegamenti siano stati effettuati correttamente e che la tensione della vostra rete corrisponda a quella indicata sulla targhetta identificativa dell'unità. In caso contrario, contattare il rivenditore.
8. Assicurarsi sempre che i cavi di alimentazione e tutti i connettori siano certificati e adatti all'uso nei paesi specifici in cui verrà installato il prodotto.
9. Utilizzare la spina di rete per scollegare l'apparecchio dalla rete.
10. Se il dispositivo è provvisto di fusibile interno o se richiede interventi, rivolgersi al centro assistenza autorizzato o a personale qualificato come definito nella norma IEC 62368-1 3° edizione. Sono presenti sorgenti energetiche ES3.
11. Se il dispositivo è dotato di presa di alimentazione con portafusibile accessibile, o portafusibile indipendente accessibile, scollegare il cavo di alimentazione del dispositivo prima di sostituire il fusibile. Il fusibile sull'ingresso della rete di alimentazione può essere sul neutro, la rete di alimentazione deve essere scollegata per diseccitare la fase.

DISPOSITIVI PASSIVI e ACCESSORI

1. Le linee destinate ai diffusori (uscite dell'amplificatore) possono avere una tensione sufficientemente elevata da comportare rischio di folgorazione: non installare o collegare mai questo dispositivo quando gli amplificatori sono accesi.
2. Assicurarsi che tutti i collegamenti siano stati effettuati correttamente e che l'impedenza di ingresso del diffusore sia adatta all'uscita dell'amplificatore.
3. Per garantire una corretta riproduzione del suono è necessario rispettare la fase degli altoparlanti (gli altoparlanti vengono collegati rispettando la polarità dell'amplificatore). Ciò è importante quando i diffusori sono installati uno accanto all'altro, ad esempio nella stessa stanza.

4. Per evitare che effetti induttivi causino ronzii, rumori e un cattivo funzionamento del sistema, i cavi dei diffusori non devono essere sistemati in prossimità altri cavi elettrici (rete), microfoni o cavi di segnale a livello di linea collegati agli ingressi dell'amplificatore.
5. Il cavo del diffusore dovrà essere costituito da cavi (se possibile twistati per ridurre gli effetti induttivi dovuti ai campi elettromagnetici circostanti) di adeguata sezione e di sufficiente isolamento elettrico. Fare riferimento alle normative locali poiché potrebbero esserci requisiti aggiuntivi sulle caratteristiche del cavo.
6. NON collegare gli ingressi degli altoparlanti a bassa impedenza (8 - 4 Ω) a linee a tensione costante 100 / 70 V.

DISPOSITIVI SOSPESI

1. Sospendere qualsiasi oggetto è un'operazione potenzialmente pericolosa e dovrebbe essere effettuata solo da persone che abbiano una conoscenza approfondita delle tecniche e delle normative relative al sollevamento di oggetti sopra la testa.
2. L'azienda raccomanda vivamente di sospendere tutti i dispositivi tenendo conto di tutte le attuali normative nazionali, federali, statali e locali. È responsabilità dell'installatore garantire che tutti i dispositivi siano installati in modo sicuro in conformità con tutte queste normative.
3. L'azienda consiglia vivamente di ispezionare il sistema almeno una volta all'anno. Se viene rilevato qualsiasi segno di debolezza o danno, è necessario intraprendere immediatamente azioni correttive.
4. L'utente è responsabile di assicurarsi che le superfici di supporto e qualsiasi hardware aggiuntivo utilizzato siano in grado di supportare il sistema. Qualsiasi hardware utilizzato per sospendere un gruppo di altoparlanti che non sia fornito o associato all'azienda non è consigliato ed è sotto la responsabilità di altri.


PRECAUZIONI OPERATIVE


- Installare il prodotto secondo le istruzioni del produttore.
- Quando si installa un sistema audio professionale è necessario considerare fattori meccanici ed elettrici (oltre a quelli strettamente acustici, come pressione sonora, angoli di copertura, risposta in frequenza, ecc.).
- Se il prodotto deve essere utilizzato in un ambiente freddo, riscaldare lentamente le bobine mobili degli altoparlanti inviando un segnale a basso livello per circa 15 minuti prima di inviare segnali ad alta potenza.
- Posizionare questo prodotto lontano da fonti di calore e garantire sempre un'adeguata circolazione dell'aria attorno ad esso.
- Non sovraccaricare questo prodotto con troppa potenza o per un lungo periodo.
- Non forzare mai gli elementi di comando (tasti, manopole, ecc.).


NOTE IMPORTANTI

Per evitare di verificarsi di disturbi sui cavi di segnale in linea, utilizzare solo cavi schermati ed evitare di avvicinarli a:


- Apparecchiature che producono campi elettromagnetici ad alta intensità
- Cavi di alimentazione
- Linee di altoparlanti

 **ATTENZIONE! CAUTELA!** Per evitare il rischio di incendi o scosse elettriche, non esporre mai questo prodotto a pioggia o umidità.

 **ATTENZIONE!** Per evitare il rischio di scosse elettriche, non collegare all'alimentazione di rete se il dispositivo dovesse presentarsi aperto o, nel caso di diffusori, mentre la griglia è rimossa.

 **WARNING!** Per ridurre il rischio di scosse elettriche, non smontare questo prodotto se non si è qualificati. Per l'assistenza rivolgersi a personale di assistenza qualificato

SMALTIMENTO CORRETTO DI QUESTO PRODOTTO

 Questo prodotto deve essere consegnato a un sito di raccolta autorizzato per il riciclaggio di apparecchiature elettriche ed elettroniche (AEE). Una manipolazione impropria di questo tipo di rifiuti potrebbe avere un possibile impatto negativo sull'ambiente e sulla salute umana a causa di sostanze potenzialmente pericolose che sono generalmente associate alle AEE. Allo stesso tempo, la vostra collaborazione per il corretto smaltimento di questo prodotto contribuirà all'utilizzo efficace delle risorse naturali. Per ulteriori informazioni su dove sia possibile scaricare le attrezzature per il riciclaggio, si prega di contattare l'ufficio comunale locale, l'autorità competente per i rifiuti o il servizio di smaltimento dei rifiuti domestici.

CURA E MANUTENZIONE

Per garantire un servizio di lunga durata, questo prodotto deve essere utilizzato seguendo questi consigli:

- Se il prodotto è destinato ad essere installato all'aperto, assicurarsi che sia al coperto e protetto dalla pioggia e dall'umidità.
- Nel caso di installazioni fisse si consiglia di programmare controlli periodici dell'intero impianto e di tutte le sue parti per tutta la durata dell'installazione.
- Tutto il personale coinvolto nell'installazione deve essere adeguatamente formato ed istruito sulle procedure di sicurezza e dotato di adeguati dispositivi di protezione individuale (DPI).
- Se è necessario sostituire un componente rivolgersi sempre e solo ai centri autorizzati oppure utilizzare solo ricambi forniti da RCF.
- RCF non è responsabile per problemi o malfunzionamenti riscontrati in caso di sostituzioni di parti o modifiche al sistema effettuate dall'utente.
- Non utilizzare abrasivi, solventi detergenti, alcool, benzene o altre sostanze volatili per pulire le parti esterne di questo prodotto. Utilizzare sempre un panno asciutto per pulire le superfici esterne dell'altoparlante e farlo sempre quando l'alimentazione è spenta..



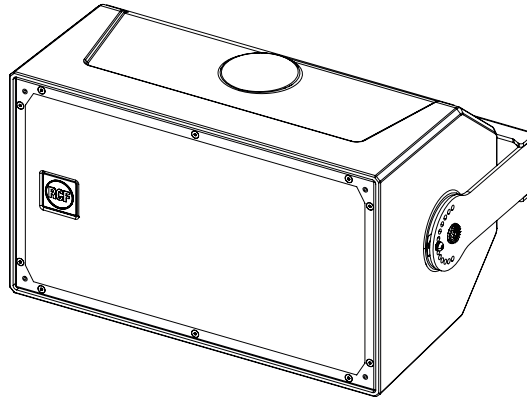
ATTENZIONE! CAUTELA! Per gli altoparlanti alimentati, eseguire la pulizia solo quando l'alimentazione è spenta.

RCF S.p.A. si riserva il diritto di apportare modifiche senza preavviso per rettificare eventuali errori e/o omissioni.

Fare sempre riferimento all'ultima versione del manuale su www.rcf.it.

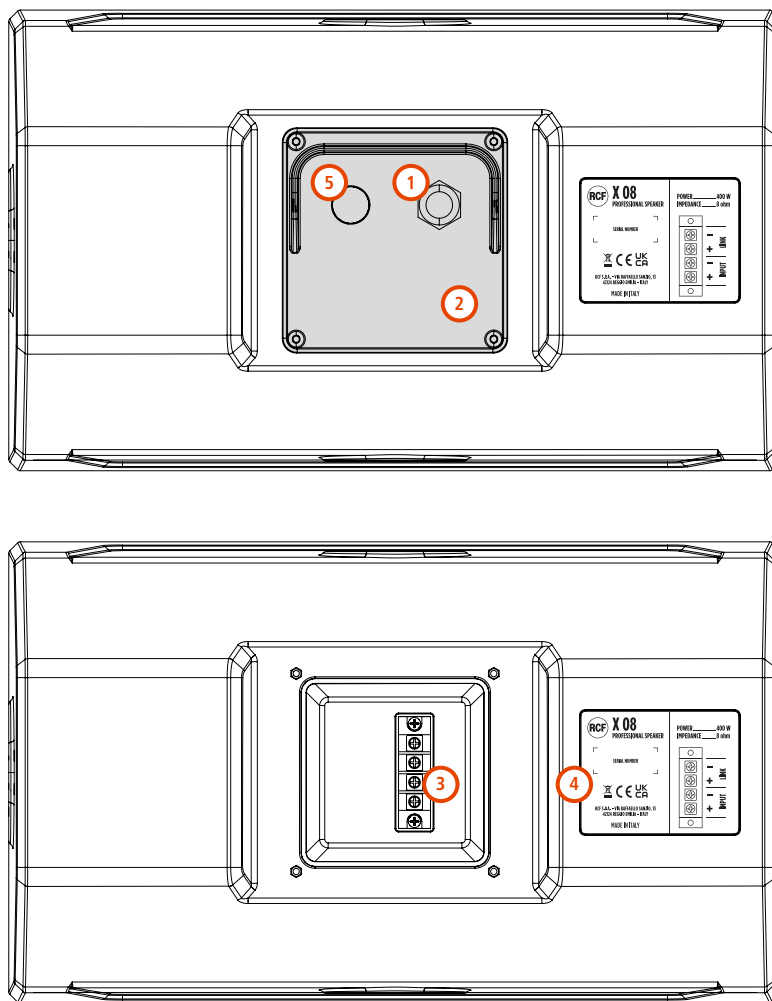
X 08 - DIFFUSORE PROFESSIONALE A DUE VIE

X 08 è un diffusore a due vie professionale ideato per una vasta gamma di installazioni fisse indoor e outdoor che richiedono elevata qualità dell'audio e durata nel tempo. Grazie al woofer da 8" e al compression driver da 1.75" di bobina offre un suono bilanciato e nitido distribuendolo con direttività costante 100° x 100°. Il mobile è realizzato in poliuretano ad alta densità, mentre la griglia in alluminio garantisce protezione da polvere e pioggia, grazie ad uno strato tessuto impermeabile. La staffa per installazione è inclusa, mentre per installazione verticale è disponibile un apposito accessorio.



X 08

8" Woofer
1.75 neo Compression Driver
128 dB Max SPL
Directivity H 100° x V 100°

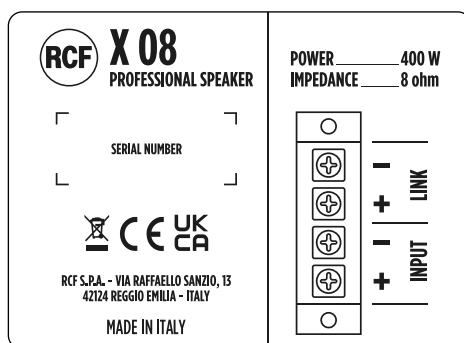


PANNELLO POSTERIORE

Il lato posteriore presenta un passacavo (1) montato sul pannello (2).

Rimuovere il pannello per rilevare la bassetta portacontatti (3). Le connessioni sono mostrate nella targhetta (4) a lato.

Il pannello presenta un secondo foro a perdere (5) che può essere aperto per montare un passacavo aggiuntivo (6) (incluso).



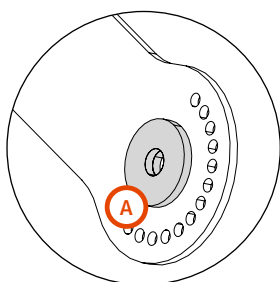
ATTENZIONE! CAUTELA! I collegamenti dei diffusori devono essere effettuati solo da personale qualificato ed esperto in possesso del know-how tecnico o di istruzioni specifiche sufficienti (per garantire che i collegamenti siano effettuati correttamente) al fine di prevenire qualsiasi pericolo elettrico.

Per evitare qualsiasi rischio di scossa elettrica, non collegare altoparlanti quando l'amplificatore è acceso.

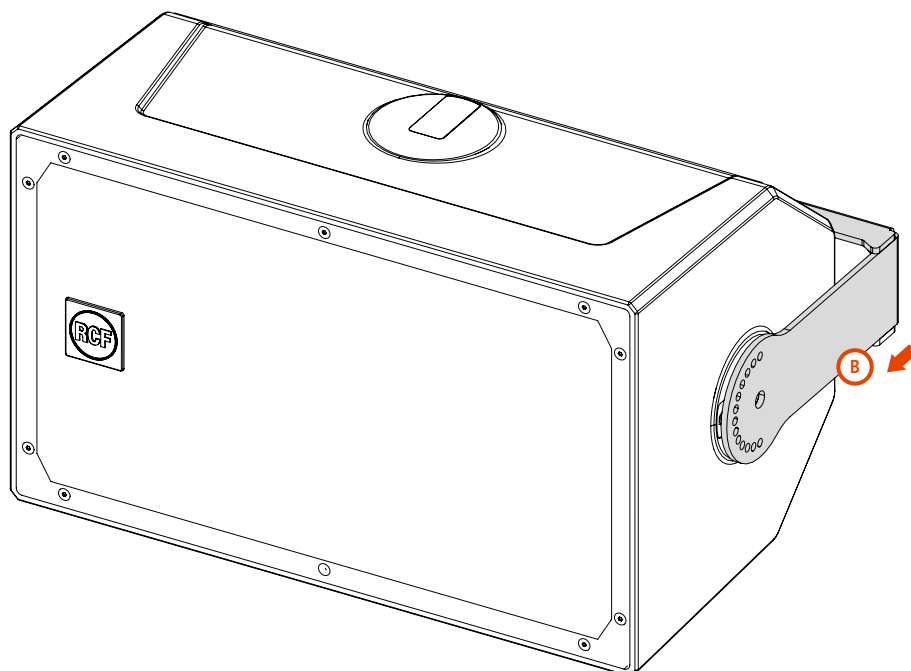
Prima di accendere il sistema, controllare tutti i collegamenti e assicurarsi che non vi siano cortocircuiti accidentali.

L'intero sistema di diffusione sonora deve essere progettato e installato in conformità con le leggi e le normative locali vigenti in materia di impianti elettrici.

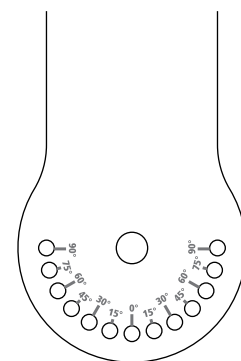
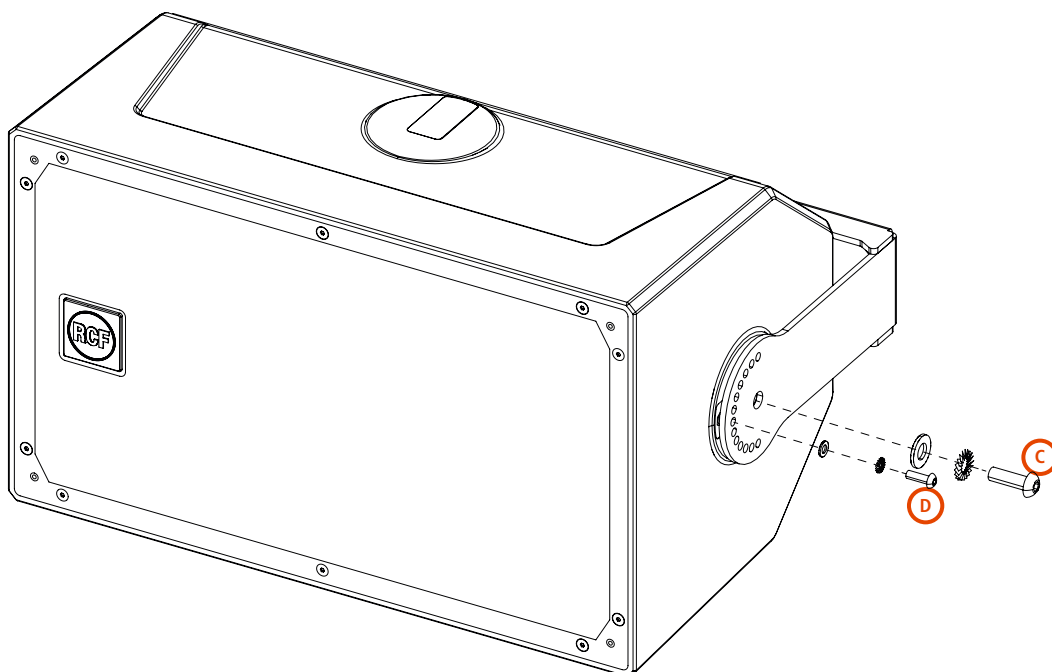
4. MONTAGGIO DELLA STAFFA ORIZZONTALE (INCLUSA)



Posizionare il distanziale adesivo in gomma **A** in corrispondenza del foro centrale su entrambi i lati interni della staffa.



Posizionare la staffa orizzontale inclusa **B** sul diffusore.



I fori sulla staffa consentono di inclinare il diffusore fino a 90° su entrambi i lati.

Avvitare la vite M10 centrale **C** (con le sue rondelle) e avvitare la vite M5 **D** (con le sue rondelle) per scegliere l'angolo di inclinazione.



WARNING! CAUTION! Loudspeaker connections should be only made by qualified and experienced personnel having the technical know-how or enough specific instructions (to ensure that connections are made correctly) in order to prevent any electrical danger.

To prevent any risk of electric shock, do not connect loudspeakers when the amplifier is switched on.

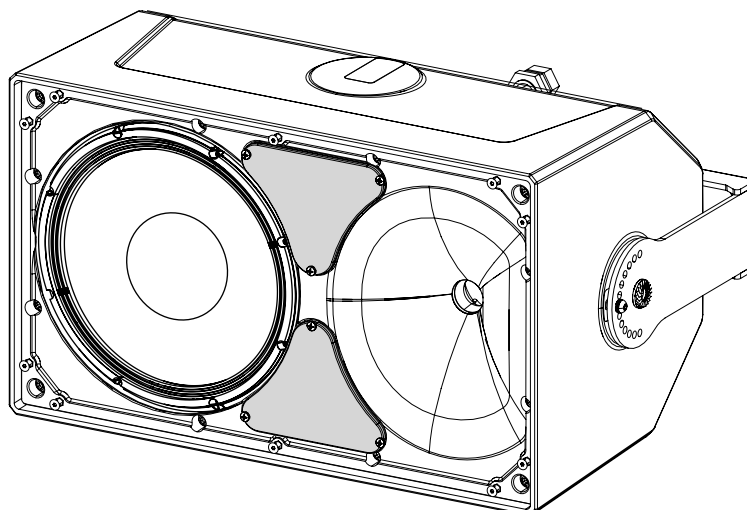
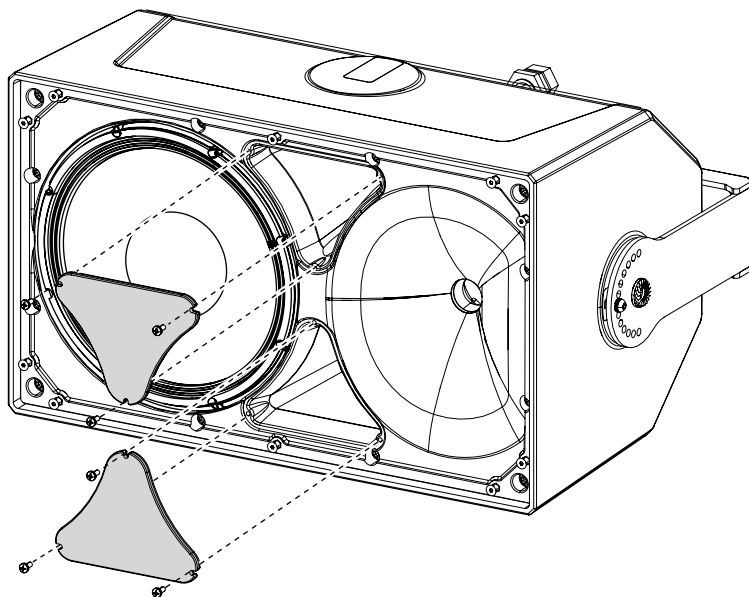
Before turning the system on, check all connections and make sure there are no accidental short circuits.

The entire sound system shall be designed and installed in compliance with the current local laws and regulations regarding electrical systems.

5. PROTEZIONE IP 55

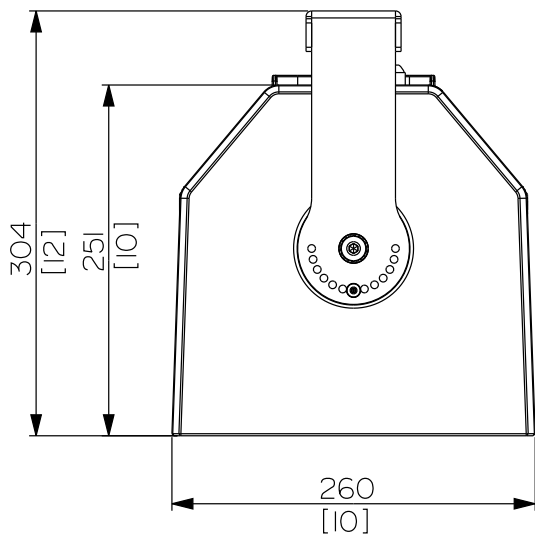
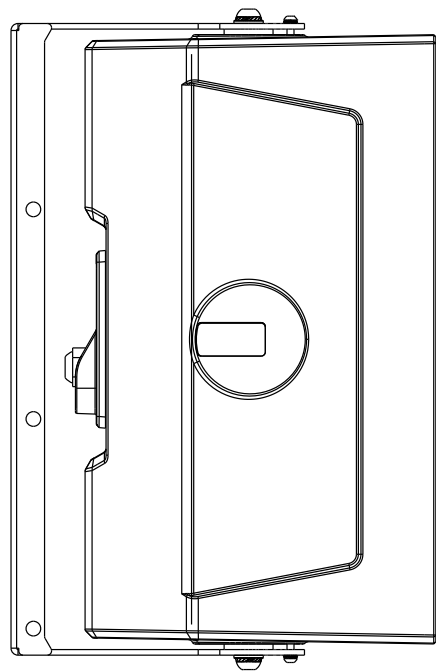
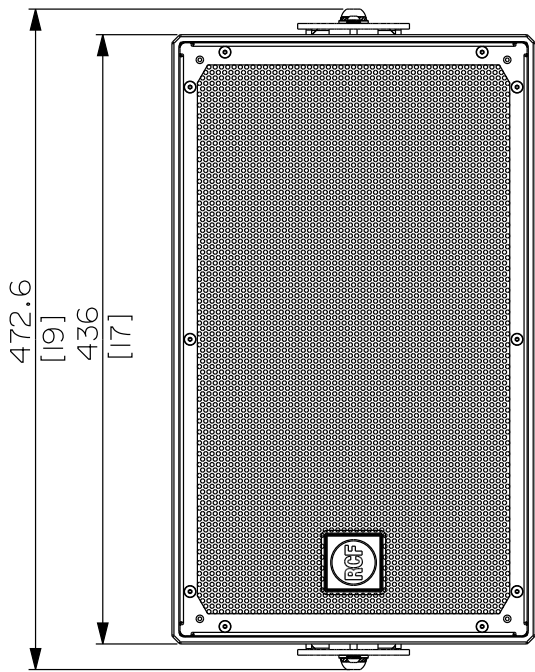
La protezione IP55 si ottiene avvitando i tappi reflex in dotazione nelle loro sedi.

1. Rimuovere la griglia frontale e avvitare i tappi reflex.



2. Una volta che i tappi reflex sono avvitati nella loro sede e la griglia è stata rimontata, il diffusore può essere utilizzato in condizioni IP55.

DIMENSIONS



SPECIFICATIONS

Acoustical specifications	Frequency Response (-10dB)	70 Hz ÷ 20000 Hz
	Max SPL @ 1m	128 dB
	Horizontal coverage angle	100°
	Vertical coverage angle	100°
Power section	Amplification	Full Range
	Nominal Impedance	8 ohm
	Power Handling	400 W RMS
	Peak Power Handling	1600 W PEAK
	Protections	Dynamic Active Mosfet
	Crossover Frequencies	2000 Hz
Transducers	Recommended Amplifiers	XPS 16K, XPS 16KD, DMA 504
	Compression Driver	1 x 1.0" neo, 1.75" v.c
Input/Output section	Woofer	1 x 8" neo, 2.5" v.c
	Input connectors	Screw Terminals
Standard compliance	Output connectors	Screw Terminals
	IP protection grade	IP 55
Physical specifications	Safety agency	CE compliant
	Cabinet/Case Material	Structural Polyurethane
	Hardware	2 x M10 (top-bottom) 2 x M10 (sides)
	Grille	Aluminum with water-repellent protection
Size / Weight	Color	Black - RAL 9005
	Height	260 mm / 10.24 inches
	Width	436 mm / 17.17 inches
	Depth	251 mm / 9.88 inches
	Weight	9.95 kg / 21.94 lbs

