



CMR 60T

TWO-WAY CEILING MONITOR SPEAKER



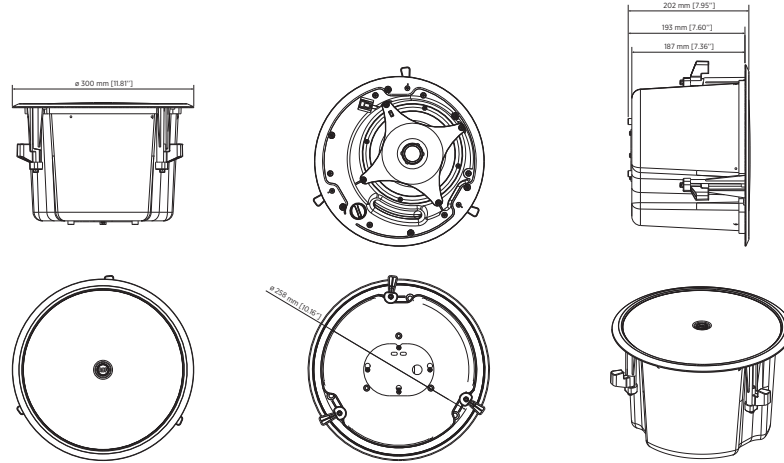
Description	<p>CMR 60T is a multipurpose two-way in-ceiling speaker, suitable for a wide range of applications. Thanks to its elegant and discreet design and accurate details, CMR 60T pairs any building's aesthetic.</p> <p>The high-quality transducers, aligned in a coaxial configuration, guarantees a precise music reproduction of the entire frequency band and provides impressive sound pressure levels for such a compact enclosure. Installation is easy with three long travel clamps.</p> <p>The magnetic grille allows immediate access to the power selector on the front shell: the line transformer provides 80W full power on 70V and 100V constant voltage lines, and five different power levels.</p>
Features	<ul style="list-style-type: none">› 80W RMS power handling› 114 dB max SPL› 70 ÷ 20000 Hz frequency range› 130° constant directivity conical coverage angle› 6.5" high power woofer› 1" neodymium dome tweeter› Self extinguishing plastic body and metal backcan› Steel magnetic front grille› 4 pole EUROBLOCK connector (audio input and parallel link output)› 5 different power levels selectable
Part Number	13100045 CMR 60T W White - RAL 9003 EAN 8024530017446



CMR 60T

TWO-WAY CEILING MONITOR SPEAKER

Line Art 2D



TECHNICAL SPECIFICATIONS

Acoustical specifications	Frequency Response (-10dB)	70 Hz ÷ 20000 Hz	
	Max SPL @ 1m	114 dB	
	Coverage angle	130°	
	System Sensitivity	89 dB	
Power section	Amplification	Full Range	
	Nominal Impedance	8 ohm	
	Power Handling	80 W RMS	
	Peak Power Handling	320 W PEAK	
	Crossover Frequencies	2500	
	Recommended Amplifiers	DMA 504, DMA 162, DMA 82, DMA 162P	
Transducers	Dome Tweeter	1 x 1.0" neo, 1.0" v.c	
	Woofers	1 x 6.5", 1.2" v.c	
Input/Output section	Input connectors	Euroblock	
	Output connectors	Euroblock	
	Constant Voltage Transformer	70/100 V	
	Power selection 1	80 W - 125 ohm	
	Power selection 2	40 W - 250 ohm	
	Power selection 3	20 W - 500 ohm	
Standard compliance	Power selection 4	10 W - 1000 ohm	
	Power selection 5	5 W - 2000 ohm	
	Safety agency	CE compliant, UL 1480A	
	Physical specifications	Cabinet/Case Material	ABS
		Hardware	Steel backcan
Grille		Steel	
Color		White - RAL 9003	
Size / Weight	Depth	202 mm / 7.95 inches	
	Recessed Depth	193 mm / 7.6 inches	
	Diameter	300 mm / 11.81 inches	
	Cut out diameter	260 mm / 10.24 inches	
	Weight	4.5 kg / 9.92 lbs	



CMR 60T

TWO-WAY CEILING MONITOR SPEAKER

Rigging / Mounting

ACCESSORIES

13360492 GRILLE KIT 4X CMR B

Black - RAL 9005 EAN 8024530019402

FLYING BRACKETS

13360490 MUD RING 4X CMR

EAN 8024530019396

13360489 TILE BRIDGE 4X CMR

EAN 8024530019389